

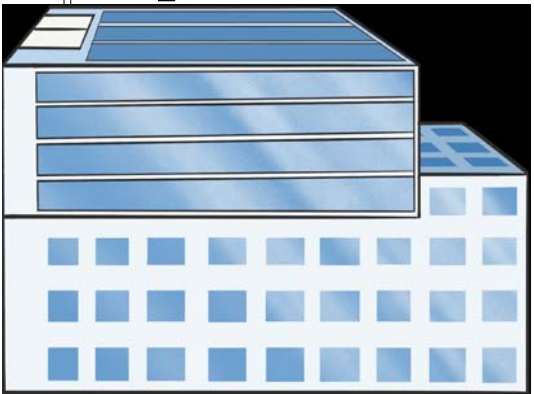
ICI01EVCMC-EMS-S-18 ENERGY MANAGEMENT SYSTEM

$$\Sigma \text{ Car Loads} < \begin{cases} \text{Upper Load Limit\#1} \\ \text{OR} \\ \text{Upper Load Limit\#2} \end{cases}$$

Metering Maximum Ampacity
(Upper load Limit#2)

NOTE:

The maximum amperage of each phase as well as the maximum amperage of the panel can be programmed and controlled by the software/DCU depending on the configuration/panel model ordered. **Outside labels indicating the maximum current limitation**



Main Incoming Power

Utility Owned Meter

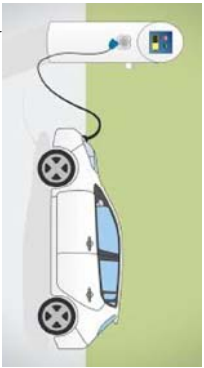
Utility Owned Transformer

Optional MF-3 Main meter
Sub-Metering Maximum Allowable Demand (Upper Load Limit#1)

F-meter45 MDU

P1 PANEL
42 cct's
250 Amp. BUS,
18X2P (40A)
CT RAIL
i-45 Meter

EV CHARGING STATION#01



208V, 40A

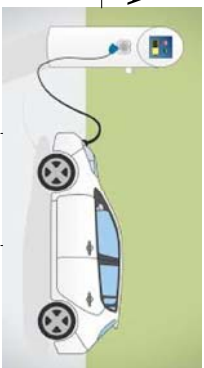
EV CHARGING STATION#09



208V, 40A

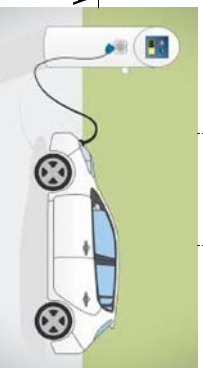
CONTROLLER RELAYS (Panel 1 of 2) CONTROLLER RELAYS (Panel 2 of 2)

EV CHARGING STATION#10



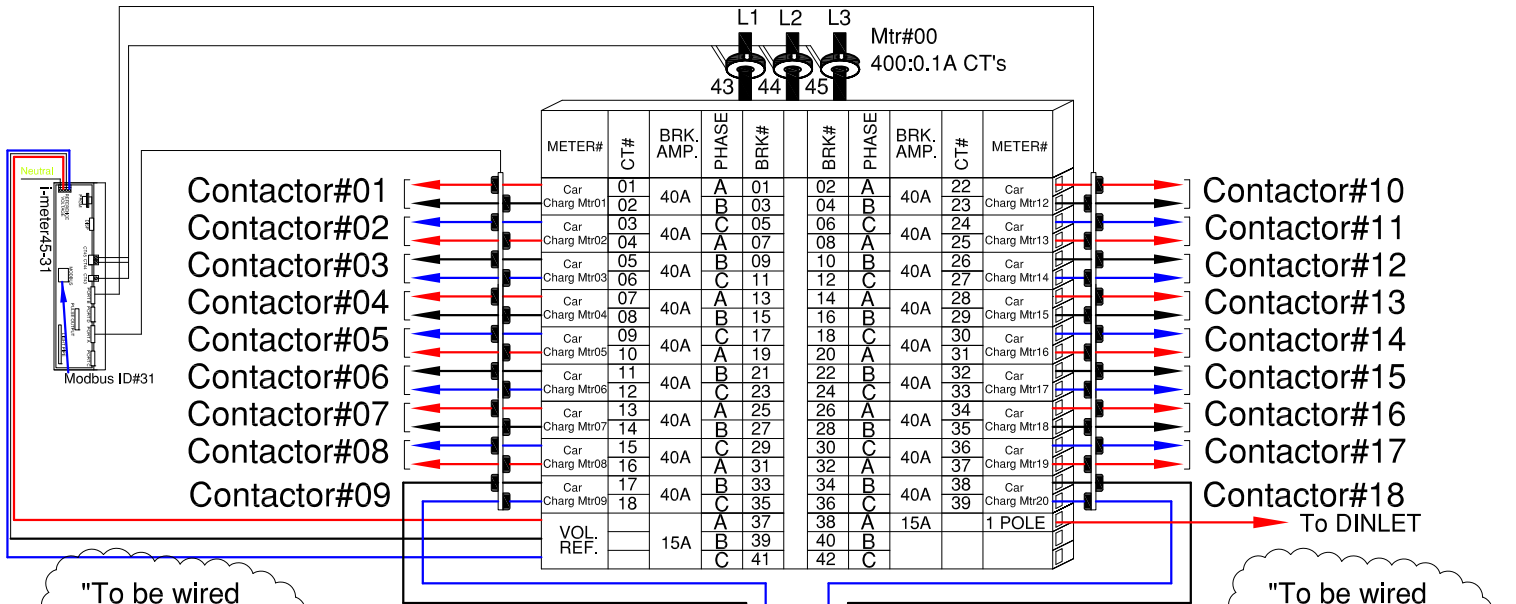
208V, 40A

EV CHARGING STATION#18



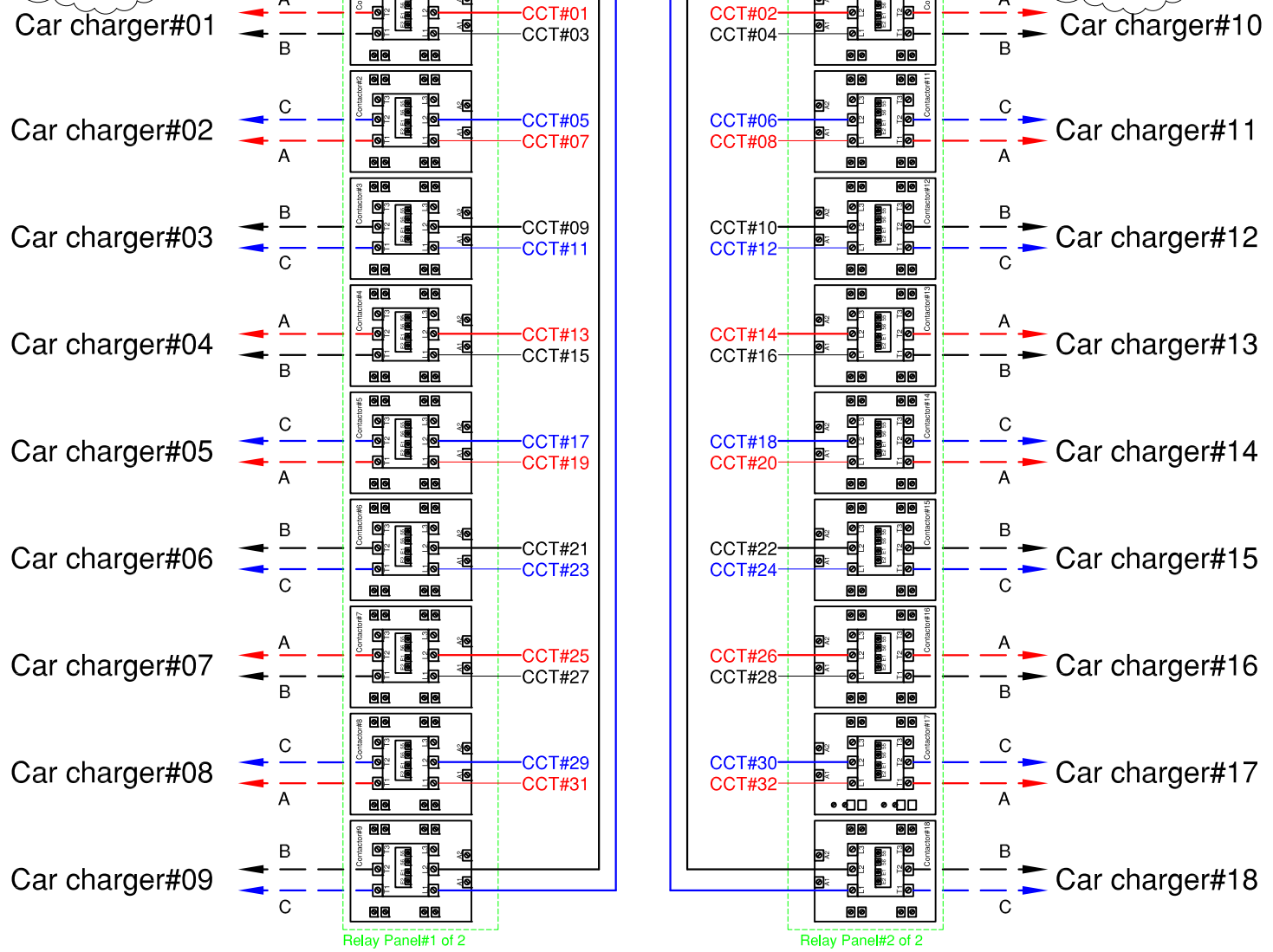
208V, 40A

ICI01EVCMC-EMS-S-18 ENERGY MANAGEMENT SYSTEM i-meter45 Meter and Power Relays Wiring Diagram



"To be wired by the Installer"

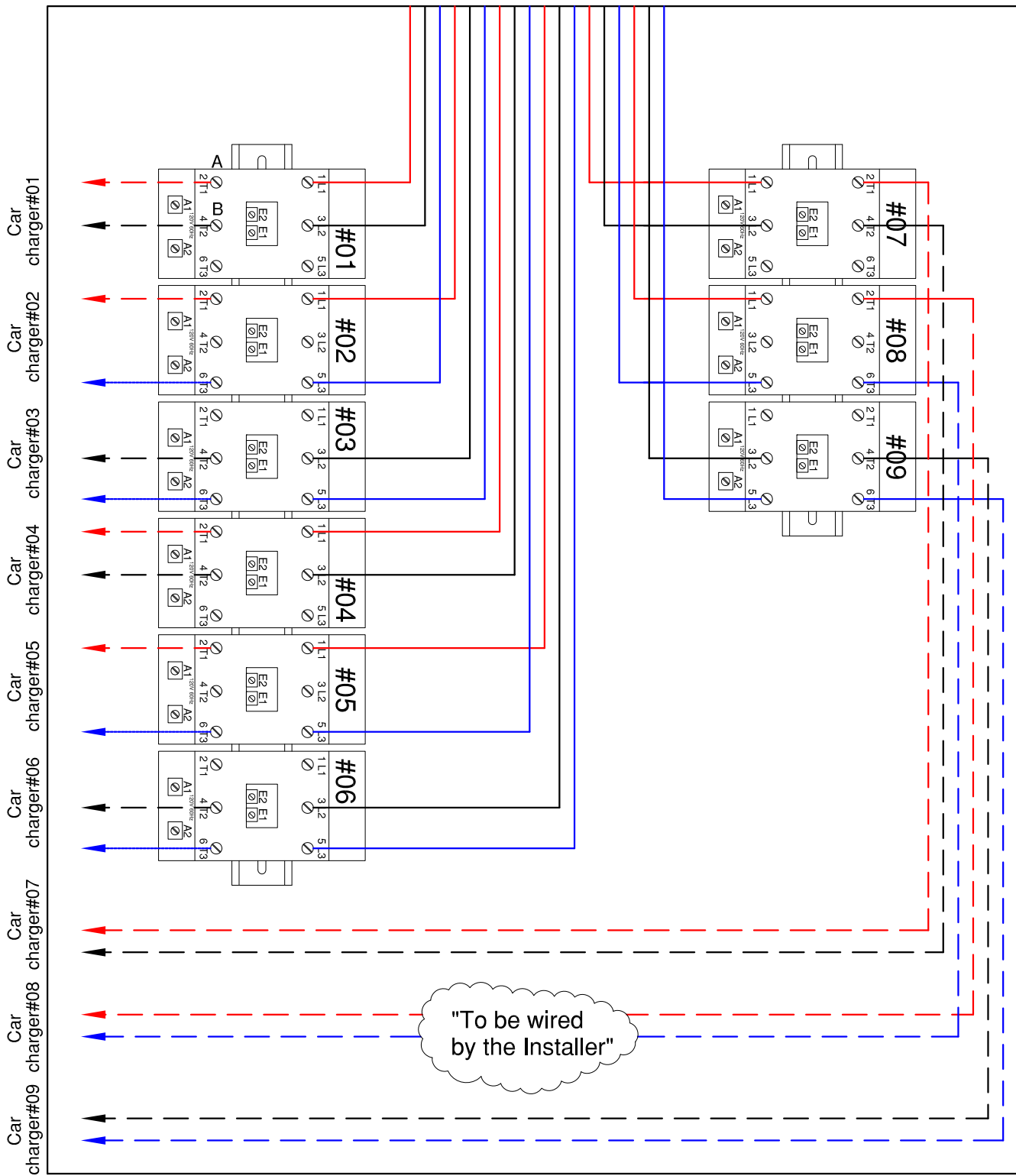
"To be wired by the Installer"



ICI01EVCMC-EMS-S-18 ENERGY MANAGEMENT SYSTEM

Contactor with Mechanical Latch Power Wiring Diagram

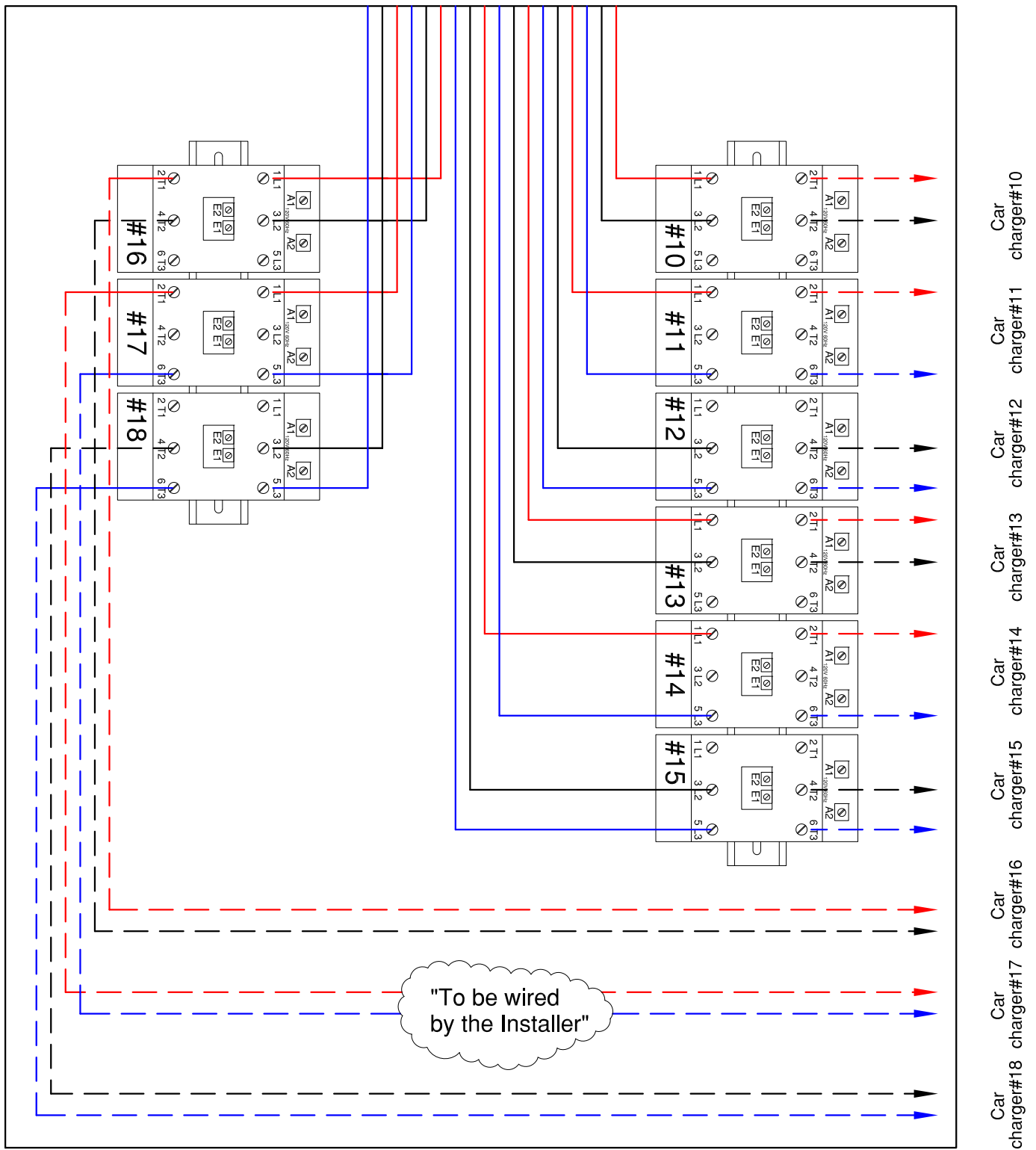
24"X20"X10" Enclosure (Panel 1 of 2)



ICI01EVCMC-EMS-S-18 ENERGY MANAGEMENT SYSTEM

Contactor with Mechanical Latch Power Wiring Diagram

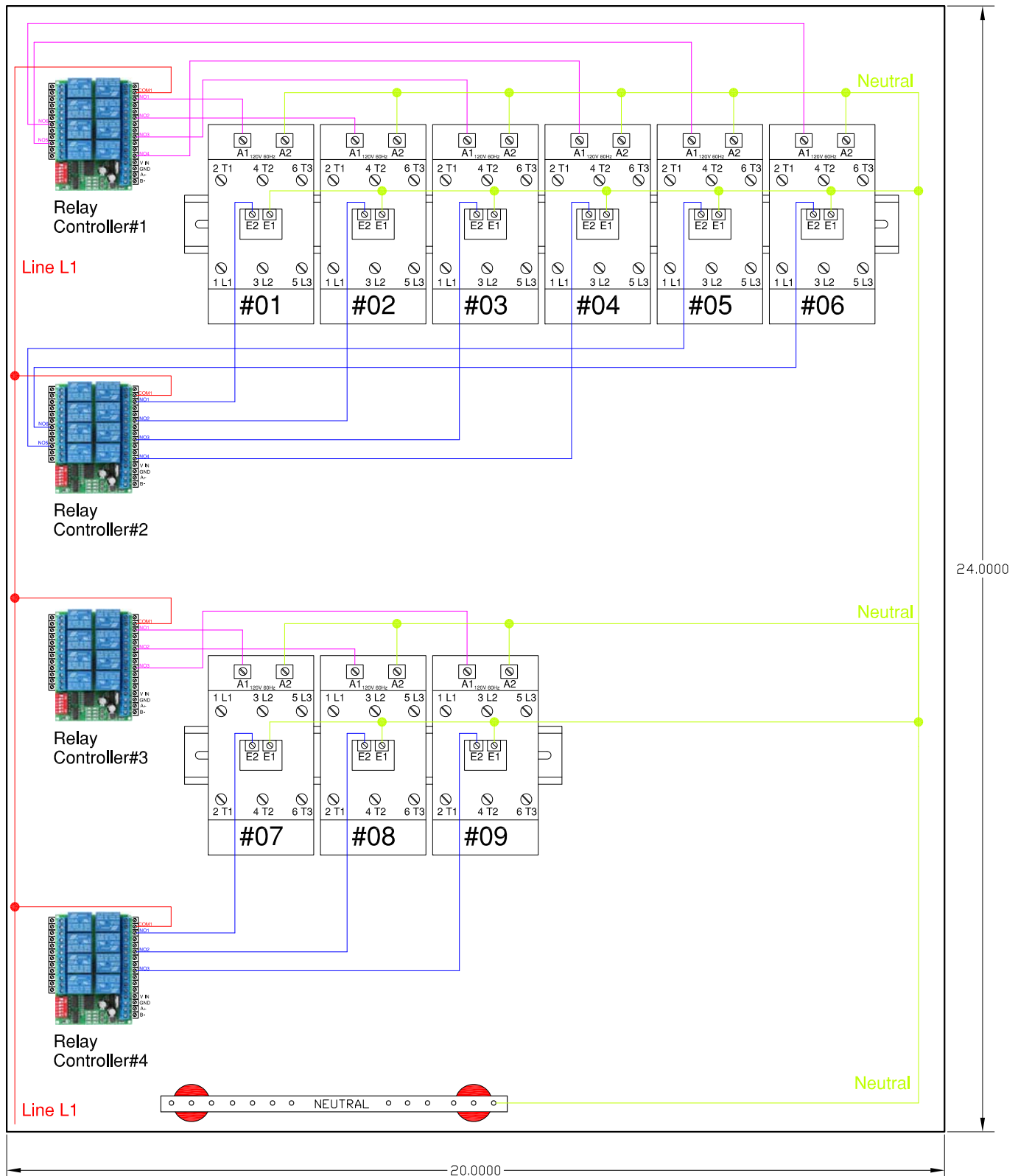
24"X20"X10" Enclosure (Panel 2 of 2)



ICI01EVCMC-EMS-S-18 ENERGY MANAGEMENT SYSTEM

Contactor with Mechanical Latch to New Relay board Wiring Diagram

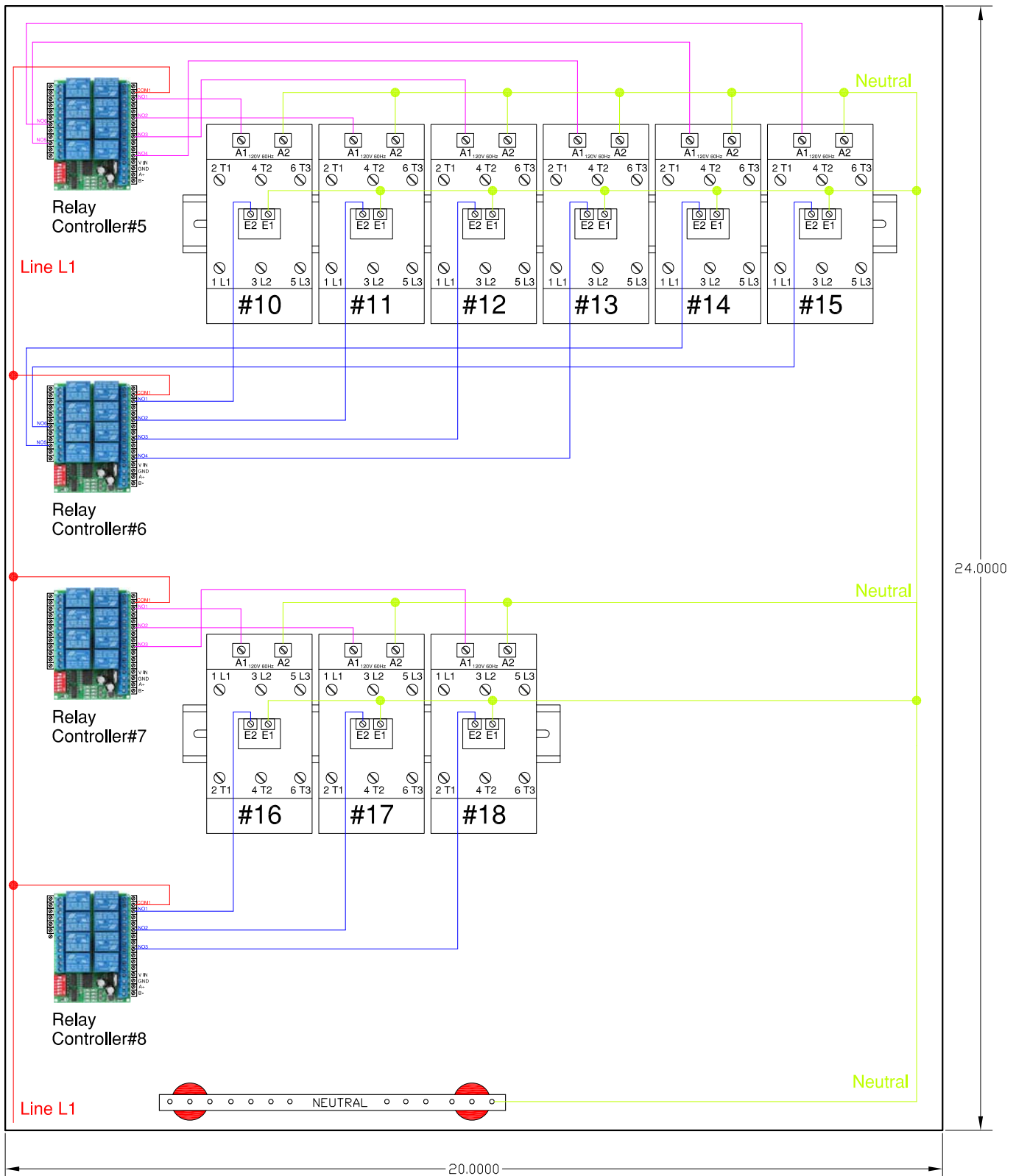
24"X20"X10" Enclosure (Panel 1 of 2)



ICI01EVCMC-EMS-S-18 ENERGY MANAGEMENT SYSTEM

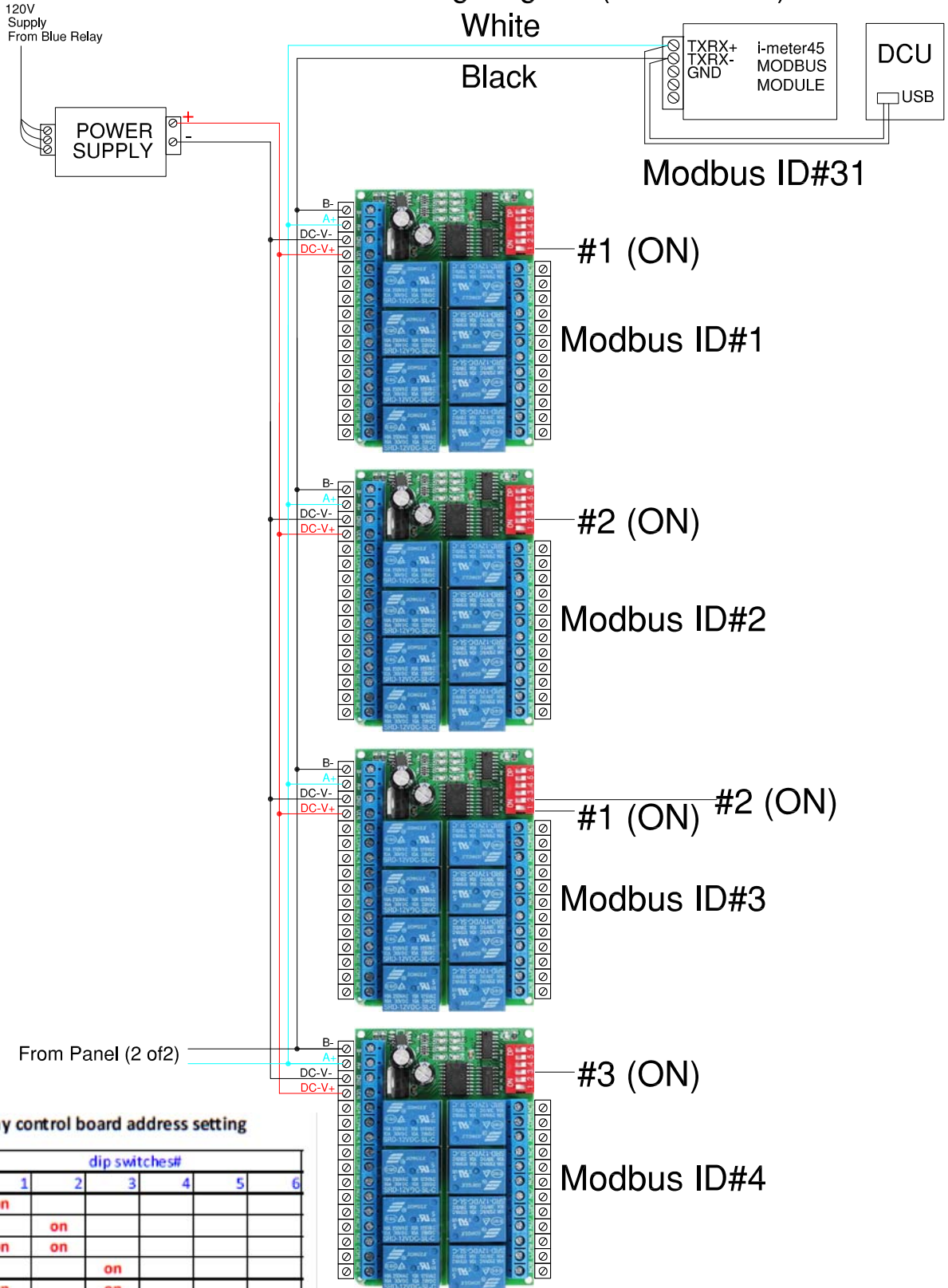
Contactor with Mechanical Latch to New Relay board Wiring Diagram

24"X20"X10" Enclosure (Panel 2 of 2)



ICI01EVCMC-EMS-S-18 ENERGY MANAGEMENT SYSTEM

Communication wiring diagram (Panel 1 of 2)

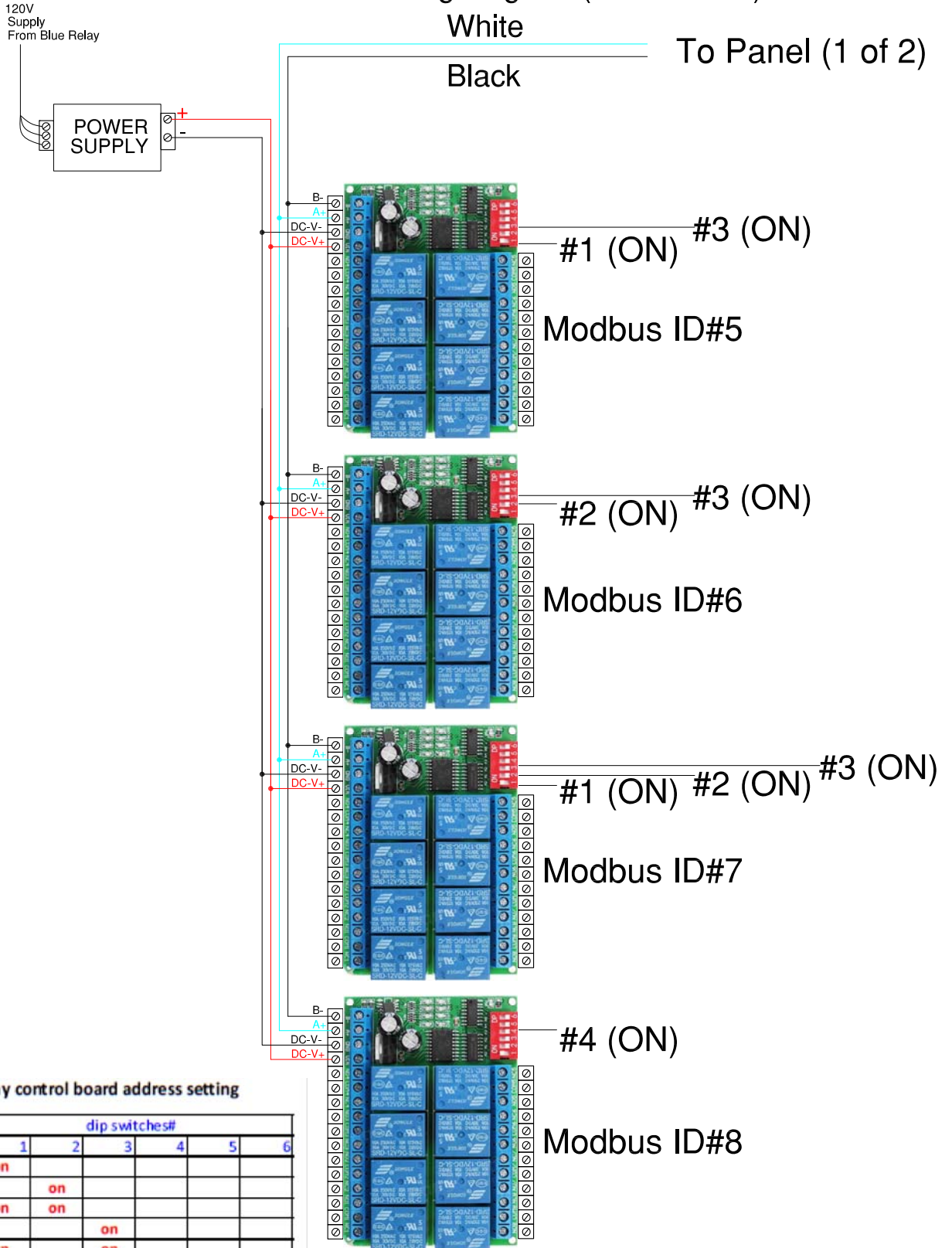


relay control board address setting

board address	dip switch#					
	1	2	3	4	5	6
1	on					
2		on				
3	on	on				
4			on			
5	on		on			
6		on	on			
7	on	on	on			
8				on		
9	on			on		
10		on	on			

ICI01EVCMC-EMS-S-18 ENERGY MANAGEMENT SYSTEM

Communication wiring diagram (Panel 2 of 2)



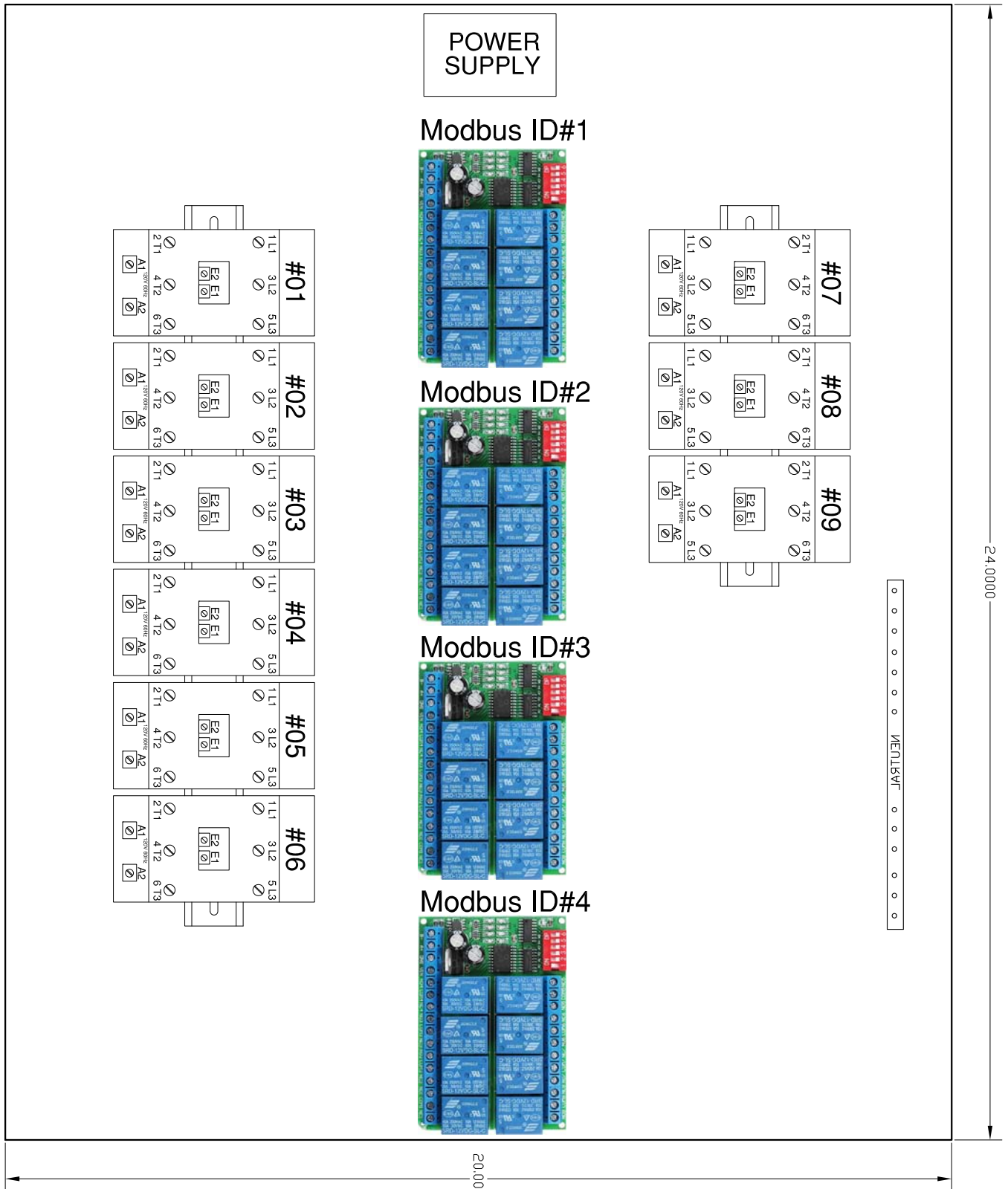
relay control board address setting

board address	dip switches#					
	1	2	3	4	5	6
1	on					
2		on				
3	on	on				
4			on			
5	on		on			
6		on	on			
7	on	on	on			
8				on		
9	on			on		
10		on	on			

ICI01EVCMC-EMS-S-18 ENERGY MANAGEMENT SYSTEM

Contactor with Mechanical Latch, Relay board and power Supply Layout

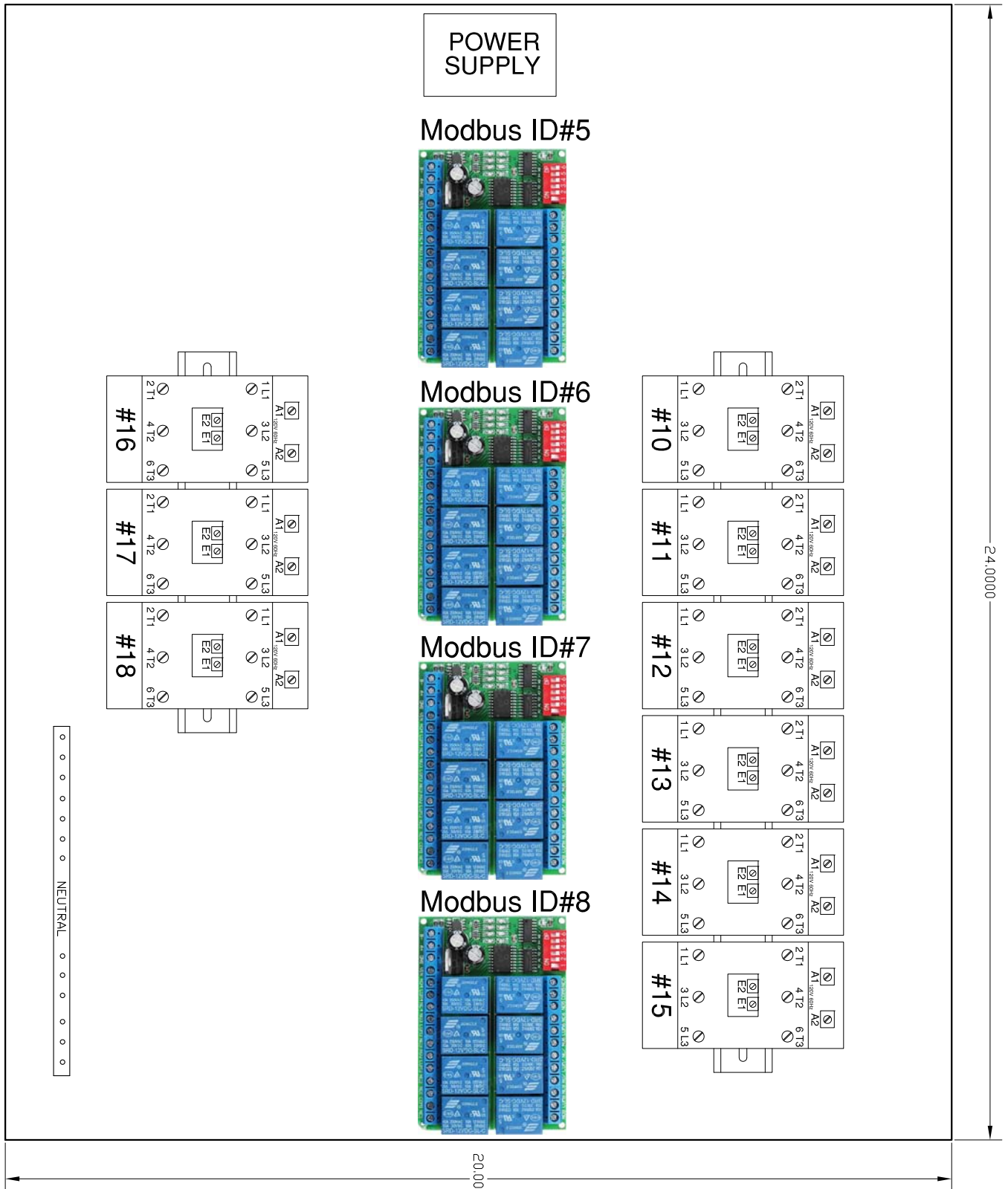
24"X20"X10" Enclosure (Panel 1 of 2)



ICI01EVCMC-EMS-S-18 ENERGY MANAGEMENT SYSTEM

Contactor with Mechanical Latch, Relay board and power Supply Layout

24"X20"X10" Enclosure (Panel 2 of 2)



Project Name:	Distributor:	Engineer:	P.O.#:	Date:	Rev.:	Project#:	Drawing#:	Drawn by:	Checked:	Drawing:
				Dec, 2021	Rev.1			Hossein Pakbin		

