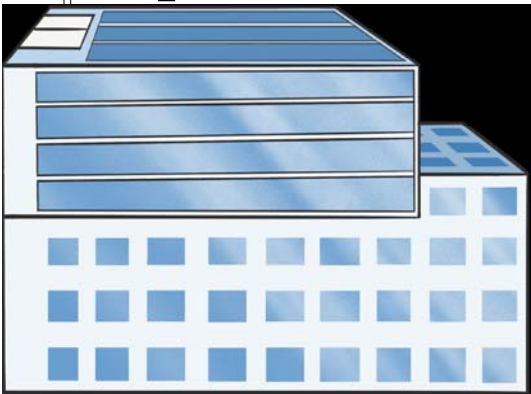


ICI01EVCMC-EMS-S-30 ENERGY MANAGEMENT SYSTEM

$$\Sigma \text{ Car Loads} < \begin{cases} \text{Upper Load Limit\#1} \\ \text{OR} \\ \text{Upper Load Limit\#2} \end{cases}$$



Main Incoming Power

Utility Owned Meter

Utility Owned Transformer

Optional MF-3 Main meter
Sub-Metering Maximum Allowable Demand (Upper Load Limit\#1)

f-meter45 MDU

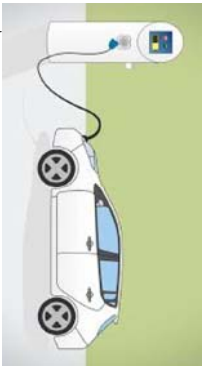
P3 PANEL
66 cct's
400 Amp. BUS.
30X2P (40A)
CT RAIL
2XI-45 Meter

f-meter45 MDU

Metering Maximum Ampacity
(Upper load Limit\#2)

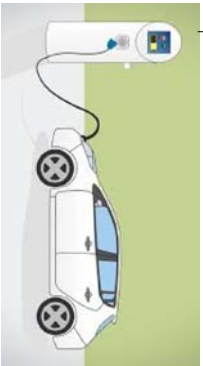
NOTE:
The maximum amperage of each phase as well as the maximum amperage of the panel can be programmed and controlled by the software/DCU depending on the configuration/panel model ordered. Outside labels indicating the maximum current limitation.

EV CHARGING STATION#01



208V, 40A

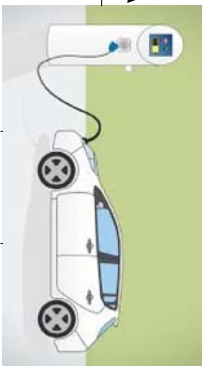
EV CHARGING STATION#15



208V, 40A

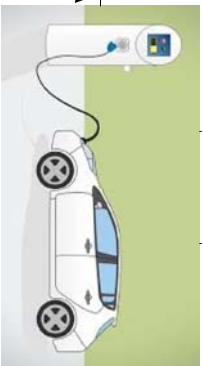
CONTROLLER RELAYS (Panel 1 of 2) ● CONTROLLER RELAYS (Panel 2 of 2)

EV CHARGING STATION#16



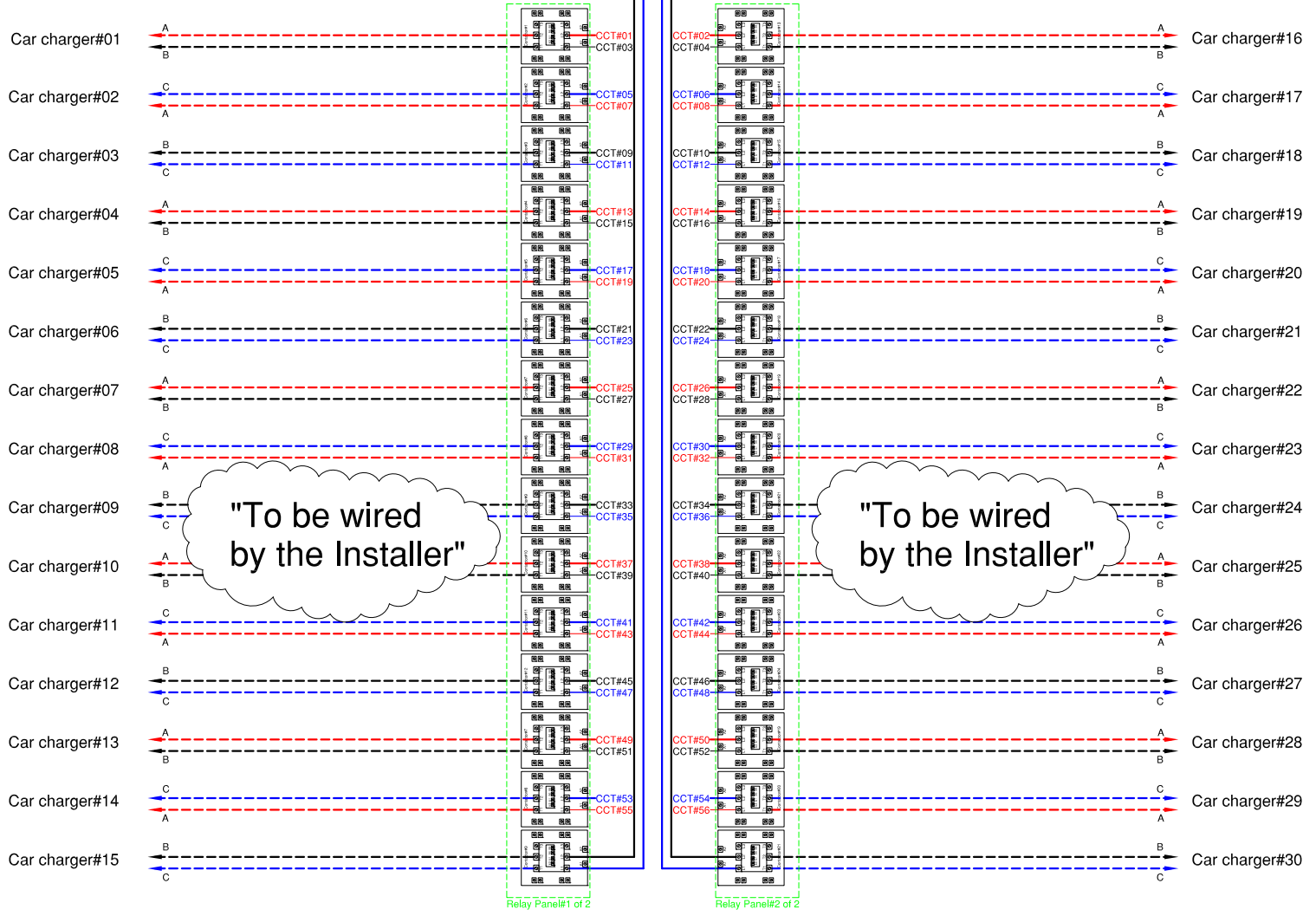
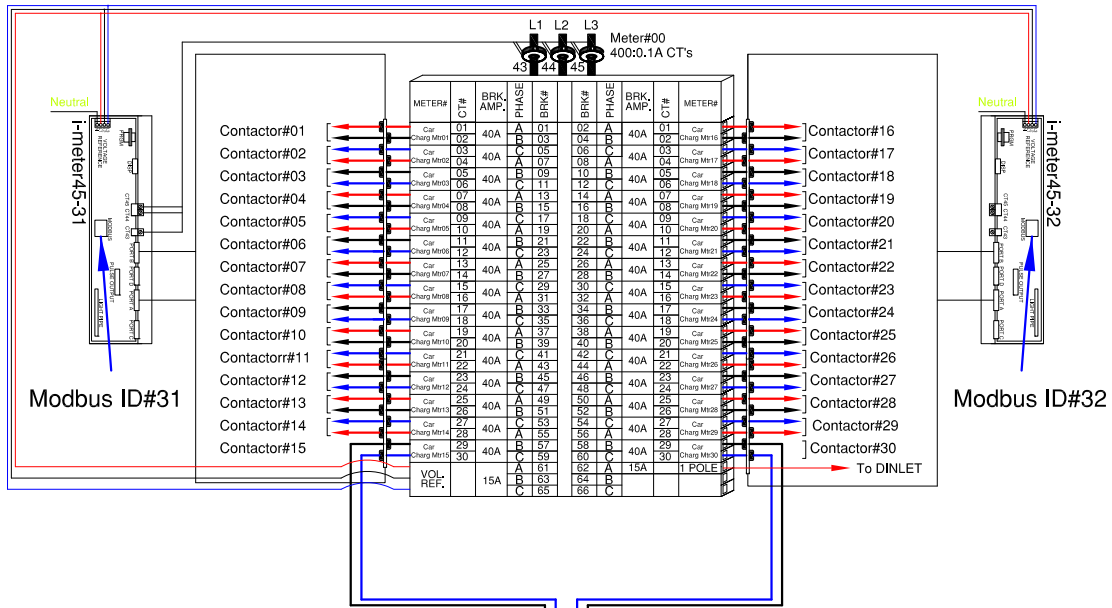
208V, 40A

EV CHARGING STATION#30



208V, 40A

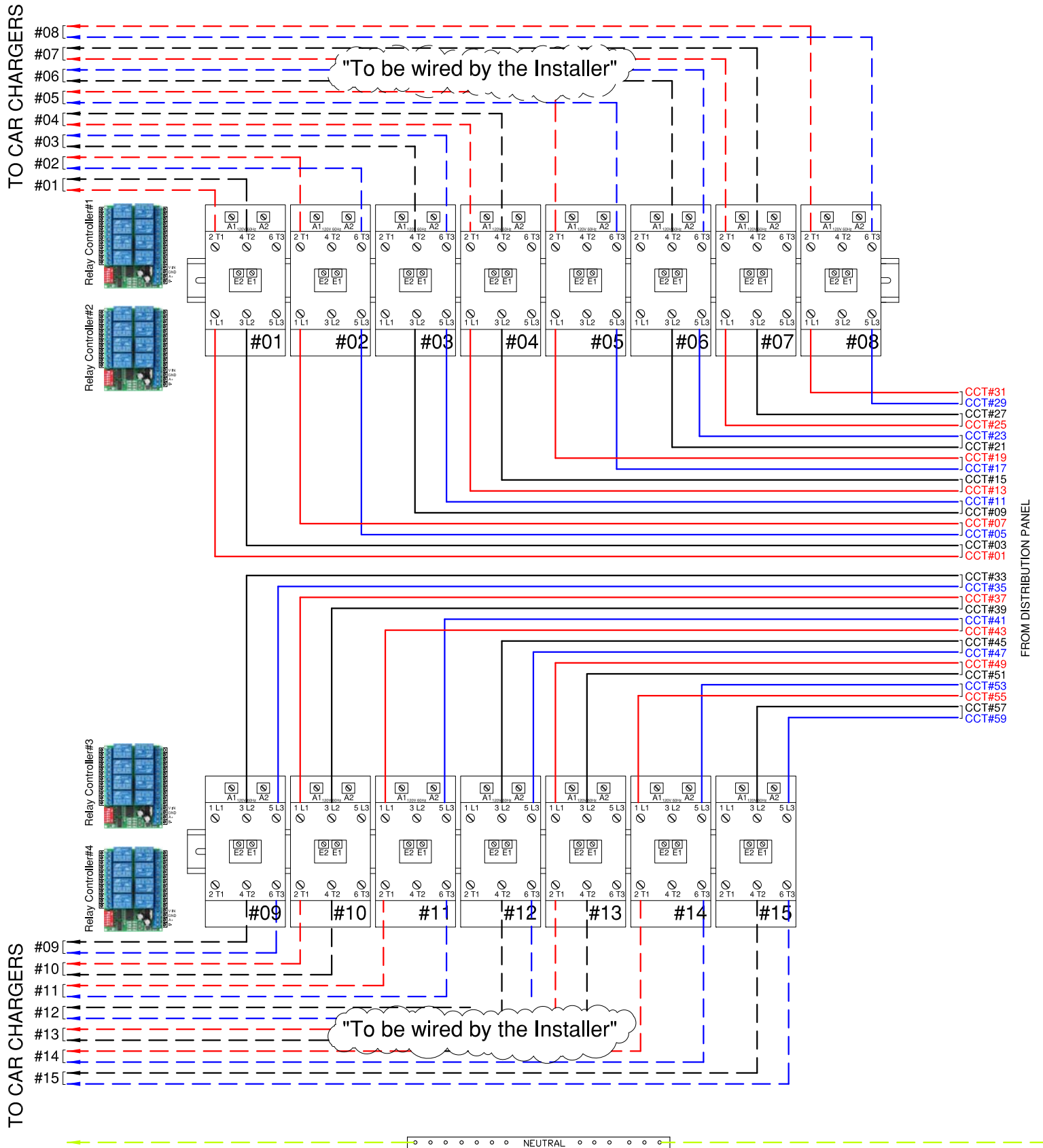
ICI01EVCMC-EMS-S-30 ENERGY MANAGEMENT SYSTEM
i-meter45 Meter and Power Relays Wiring Diagram



ICI01EVCMC-EMS-S-36 ENERGY MANAGEMENT SYSTEM

Contactor with Mechanical Latch Power Wiring Diagram

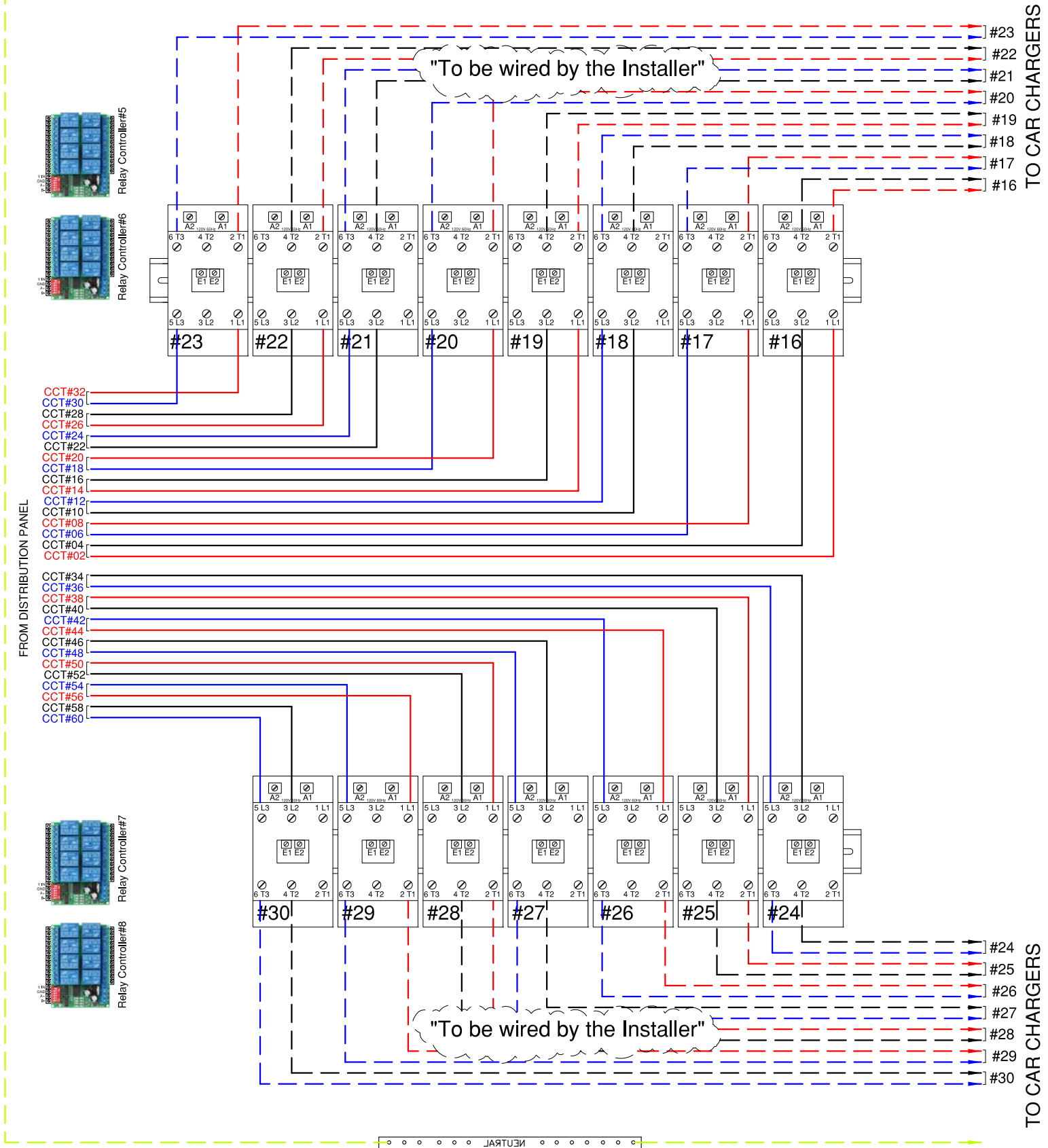
24"X20"X10" Enclosure (Panel 1 of 2)



ICI01EVCMC-EMS-S-36 ENERGY MANAGEMENT SYSTEM

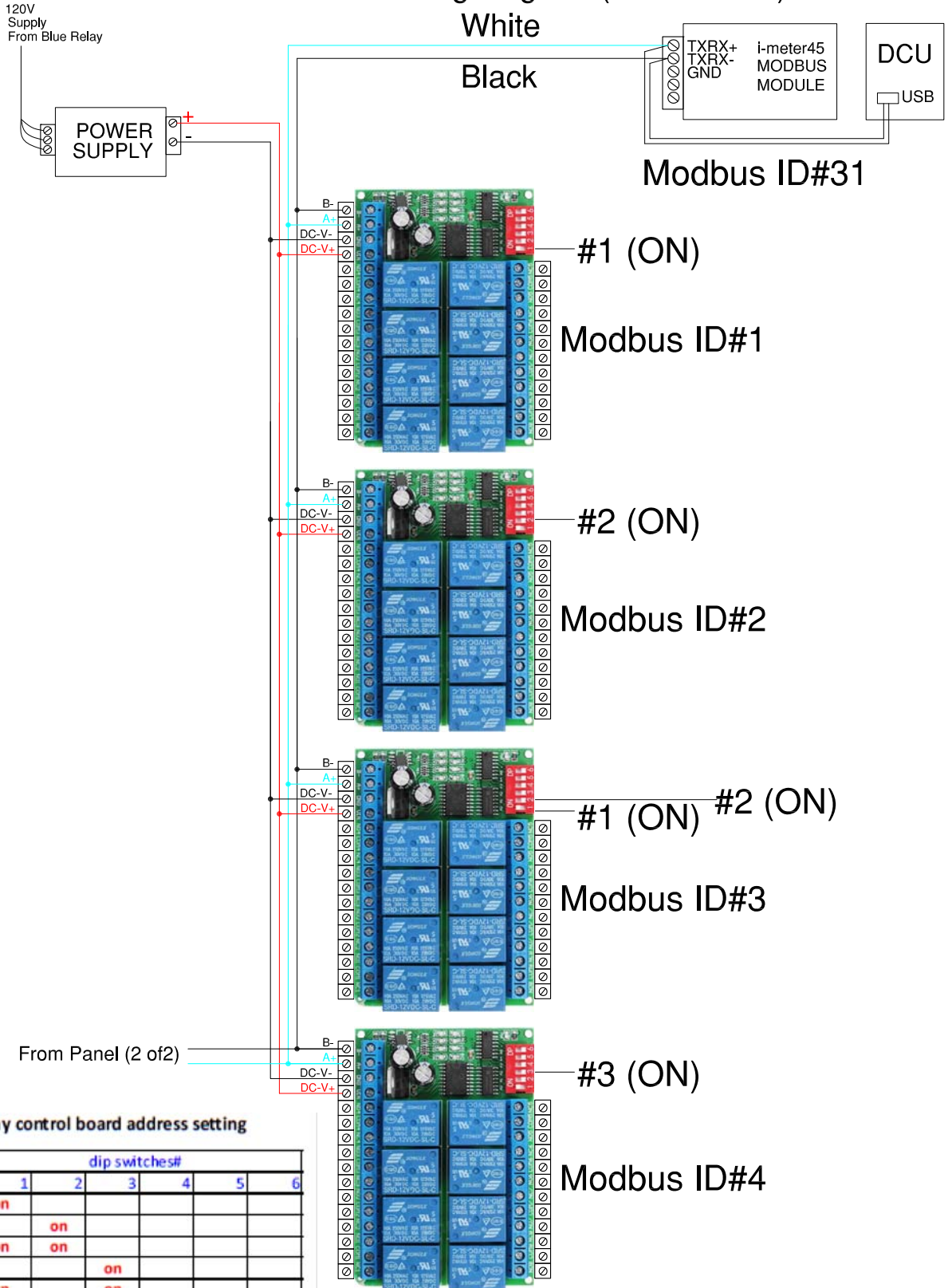
Contactor with Mechanical Latch Power Wiring Diagram

24"X20"X10" Enclosure (Panel 2 of 2)



ICI01EVCMC-EMS-S-30 ENERGY MANAGEMENT SYSTEM

Communication wiring diagram (Panel 1 of 2)

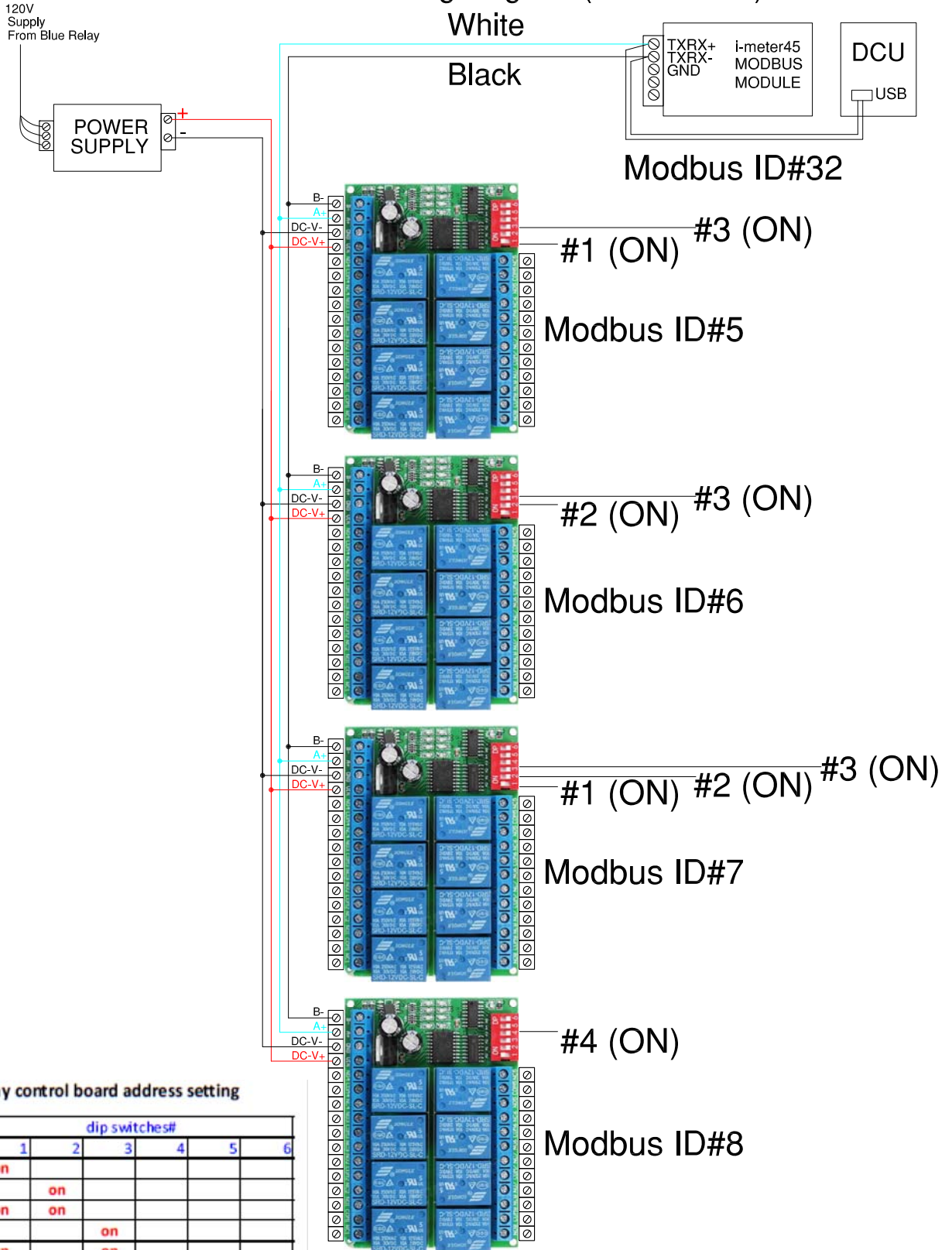


relay control board address setting

board address	dip switch#					
	1	2	3	4	5	6
1	on					
2		on				
3	on	on				
4			on			
5	on		on			
6		on	on			
7	on	on	on			
8				on		
9	on				on	
10		on		on		

ICI01EVCMC-EMS-S-30 ENERGY MANAGEMENT SYSTEM

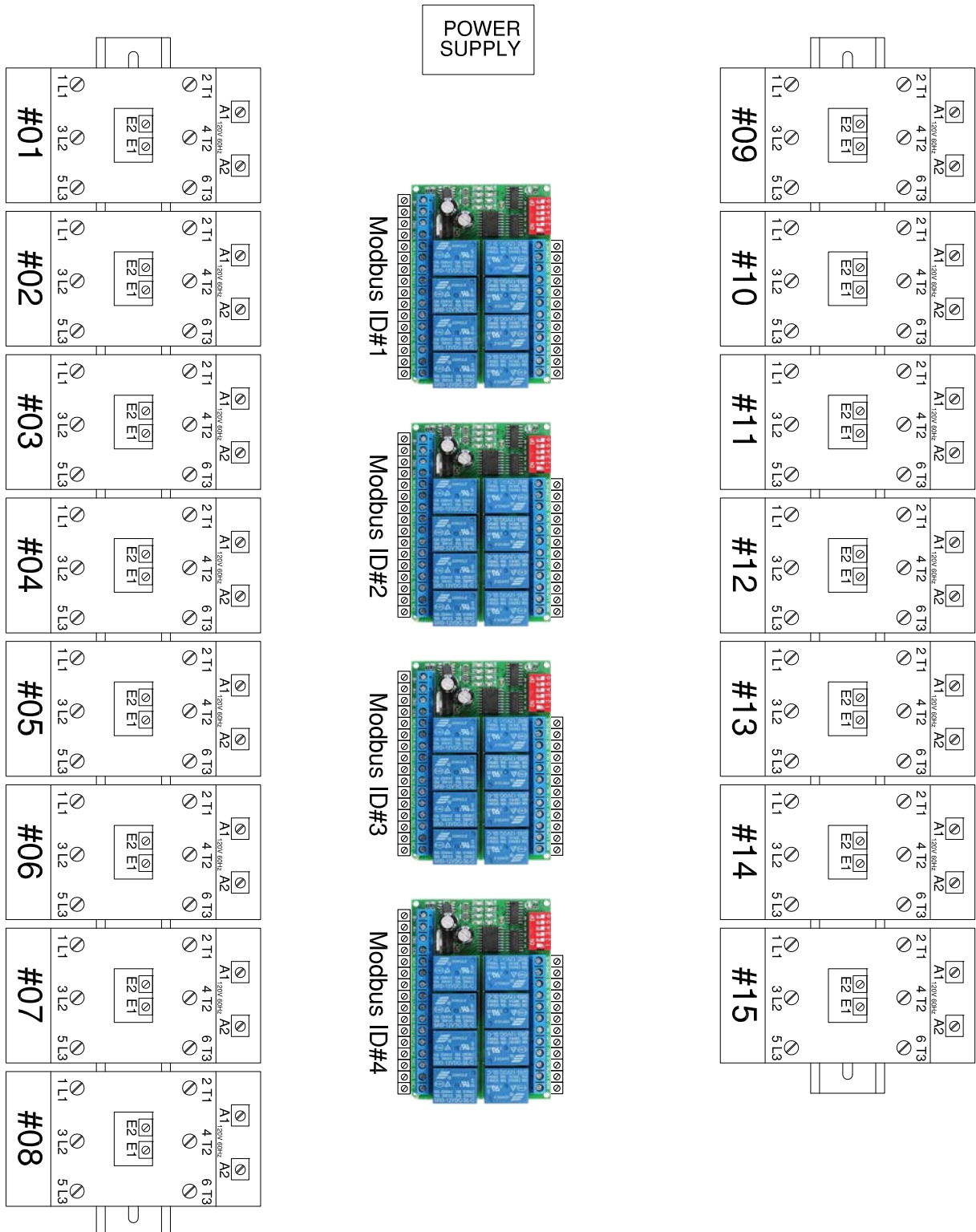
Communication wiring diagram (Panel 2 of 2)



relay control board address setting

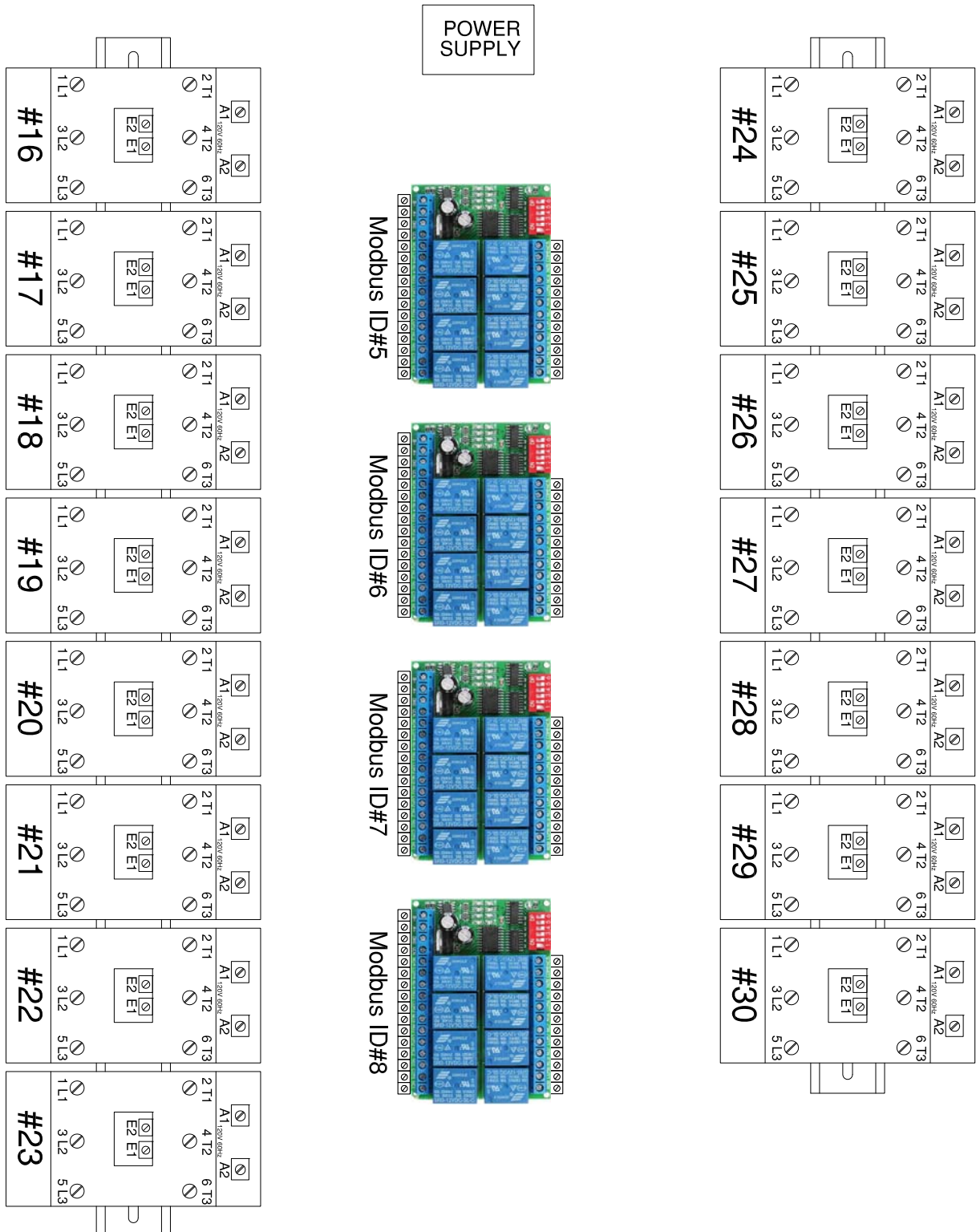
board address	dip switch#					
	1	2	3	4	5	6
1	on					
2		on				
3	on	on				
4			on			
5	on		on			
6		on	on			
7	on	on	on			
8				on		
9	on			on		
10		on	on			

ICI01EVCMC-EMS-S-30 ENERGY MANAGEMENT SYSTEM
Contactor with Mechanical Latch, Relay board and power Supply Layout
24"X20"X10" Enclosure (Panel 1 of 2)



Project Name:	Distributor:	Engineer:	P.O.#	Date:	Rev:	Project#:	Drawing#:	Drawn by:	Checked:	Drawing:
				June 2022				Hossein Pakbin		

ICI01EVCMC-EMS-S-30 ENERGY MANAGEMENT SYSTEM
Contactor with Mechanical Latch, Relay board and power Supply Layout
24"X20"X10" Enclosure (Panel 2 of 2)



Project Name:	Distributor:	Engineer:	P.O.#	Date:	Rev.	Project#:	Drawing#:	Drawn by:	Checked:	Drawing:
				June 2022				Hossein Pakbin		

ICI01EVCMC-EMS-S-30 ENERGY MANAGEMENT SYSTEM

i-Meter45 ,Data Collection Unit (DCU) and Meter Display Unit (MDU) Layout



**1#18 Twisted Pair
Communication
Cable
(Modbus RS-485)**

